

Highly efficient 3-phase AC drive motor

Ergonomic, multifunction control handle

Easily maneuvered with the handle in the vertical position by pressing the crawl-speed button

Compact and maneuverable

Maintenance-free battery pack with integrated charger

Optional proportional lowering for exact pallet placement



## EMC 110 (Fork Over) / EMC B10 (Straddle)

### Electric Walkie Stacker (2,200 lbs.)

The EMC 110 / EMC B10 electric walkie stacker combines productivity, efficiency and operator security in one user-friendly design. It is well-suited for use in a wide variety of short lift height applications, including lifting raw materials to feeder machines and stacking palletized loads onto first-level racking. In addition, it excels as an ergonomic aid, allowing materials and goods to be raised or lowered to comfortable, operator-friendly working heights.

Excellent ergonomics contribute to effortless operation of the EMC 110 / EMC B10. The long, low-mounted handle promotes lower steering

resistance while also keeping the operator a comfortable distance away from the truck. The proportional lowering function (optional) ensures fragile loads are gently placed on racking or the floor. The truck's short head length of 21 inches enables the EMC 110 / EMC B10 to easily turn in narrow aisles.

All travel, lift and horn functions are easily accessible from both sides of the multi-function handle head. The crawl-speed button, located on the back of the handle, acts as a brake bypass switch and allows the truck to maneuver in tight areas with the handle in the vertical position. The EMC 110 / EMC B10 offers several

features that ensure excellent power management and longer operating times. The maintenance-free 2x12V, 70Ah battery pack is easily recharged with the integrated charger, which can be connected to any 110 / 120V wall outlet. The battery discharge indicator continuously displays battery state-of-charge and includes a lift cut-out function when the state-of-charge reaches 20%.

The Jungheinrich® innovative 3-phase AC drive motor is virtually maintenance-free and provides outstanding performance for efficient, productive operation.

# Technical data

as of: 06/2013

Characteristics	1.1 Manufacturer		Jungheinrich		Jungheinrich			
	1.2 Model		EMC 110		EMC 110			
Weights	1.3 Drive		electric		electric			
	1.4 Type of operation		walkie		walkie			
Characteristics	1.5 Load capacity / rated load	Q	lbs	kg	2,200	1,000	2,200	1,000
	1.6 Load center distance	c	in	mm	24	600	24	600
Characteristics	1.9 Wheelbase	y	in	mm	46.0	1,168	46.0	1,168
	2.1 Service weight including battery (see line 6.5)		lbs	kg	1,207	545	1,287	583
Weights	2.2 Axle loading – loaded, drive / load		lbs	kg	1,224/2,183	555 / 990	1,274/2,213	577 / 1,004
	2.3 Axle loading – unloaded, drive / load		lbs	kg	882/320	400 / 145	937/346	425 / 157
Chassis	3.1 Tires		PU (polyurethane)		PU (polyurethane)			
	3.2 Tire size - drive		in	mm	9.1 x 2.6	230 x 65	9.1 x 2.6	230 x 65
Chassis	3.3 Tire size - load		in	mm	3.0 x 2.8	77 x 70	3.0 x 2.8	77 x 70
	3.4 Additional wheels – dimensions		in	mm	5.9 x 2.1	140 x 54	5.9 x 2.1	140 x 54
Chassis	3.5 Wheels – number, drive / load (x = driven wheels)		1x/2		1x/2			
	4.2 Collapsed mast height	h <sub>1</sub>	in	mm	77.6	1,970	95.7	2,430
Dimensions	4.3 Free-lift	h <sub>2</sub>	in	mm	59.3	1,500	25.4 <sup>1)</sup>	645
	4.4 Maximum fork height (MFH)	h <sub>3</sub>	in	mm	60.6	1,540	78.7	2,000
Dimensions	4.5 Overall extended height (OAE)	h <sub>4</sub>	in	mm	78.4	1,990	127.6	3,240
	4.9 Handle height in drive position – minimum / maximum	h <sub>14</sub>	in	mm	32.3 / 51.4	820 / 1,305	32.3/51.4	820 / 1,305
Dimensions	4.15 Lowered fork height	h <sub>13</sub>	in	mm	3.5	90	3.5	90
	4.19 Overall length	l <sub>1</sub>	in	mm	66.3	1,685	66.3	1,685
Dimensions	4.20 Length to fork face – headlength	l <sub>2</sub>	in	mm	21.1	535	21.1	535
	4.21 Overall width	b <sub>1</sub> / b <sub>2</sub>	in	mm	31.5/-	800	31.5/-	800
Dimensions	Inside dimension of support / straddle legs	b <sub>2</sub>	in	mm	12.4	315	12.4	315
	4.22 Fork dimensions – length / width / thickness	l / e / s	in	mm	45.3 / 7.3 / 2.2	1,150 / 185 / 56	45.3 / 7.3 / 2.2	1,150 / 185 / 56
Dimensions	4.24 Fork carriage width	b <sub>3</sub>	in	mm	-	-	-	-
	4.25 Overall width across forks	b <sub>5</sub>	in	mm	22.4	570	22.4	570
Dimensions	4.31 Ground clearance – under mast (loaded)	m <sub>1</sub>	in	mm	1.2	30	1.2	30
	4.32 Ground clearance – center of wheelbase	m <sub>2</sub>	in	mm	1.2	30	1.2	30
Dimensions	4.33 Aisle width (for 48 x 40 pallets (L x W))	Ast	in	mm	87.3	2,218	87.3	2,218
	4.35 Turning radius	Wa	in	mm	54.3	1,378	54.3	1,378
Performance	5.1 Travel speed – loaded / unloaded		mph	kph	2.6/3.1	4.2 / 5.0	2.6/3.1	4.2 / 5.0
	5.2 Lift speed – loaded / unloaded		ft / min	m / s	17.7/25.6	0.09 / 0.13	17.7/25.6	0.09 / 0.13
Performance	5.3 Lowering speed – loaded / unloaded		ft / min	m / s	23.6/21.7	0.12 / 0.11	23.6/21.7	0.12 / 0.11
	5.7 Gradeability – loaded / unloaded		%		3.5/15		3.5/15	
Performance	5.10 Service brake				electric		electric	
	6.1 Drive motor (rating S <sub>2</sub> 60 minutes)		hp	kW	0.5	0.7	0.5	0.7
Motors	6.2 Lift motor rating at S <sub>3</sub> 15%		hp	kW	1.2	1.6	1.2	1.6
	6.4 Battery voltage / nominal capacity		V	Ah	2 x 12/70		2 x 12/70	
Motors	6.5 Battery weight, minimum		lbs	kg	139	63	139	63
	8.1 Type of drive control				AC SpeedControl		AC SpeedControl	
Other	8.4 Sound level at driver's ear		dB (A)		70		70	

1) Includes load guard

Characteristics	1.1 Manufacturer		Jungheinrich		Jungheinrich			
	1.2 Model		EMC B10		EMC B10			
Weights	1.3 Drive		electric		electric			
	1.4 Type of operation		walkie		walkie			
Characteristics	1.5 Load capacity / rated load	Q	lbs	kg	2,200	1,000	2,200	1,000
	1.6 Load center distance	c	in	mm	24	600	24	600
Characteristics	1.9 Wheelbase	y	in	mm	46.0	1,168	46.0	1,168
	2.1 Service weight including battery (see line 6.5)		lbs	kg	1,479	590	1,506	683
Weights	2.2 Axle loading – loaded, drive / load		lbs	kg	1,280/2,397	580 / 1,087	1,296/2,410	581 / 1,093
	2.3 Axle loading – unloaded, drive / load		lbs	kg	1,055/417	435 / 155	1,071/430	452 / 161
Chassis	3.1 Tires		PU (polyurethane)		PU (polyurethane)			
	3.2 Tire size - drive		in	mm	9.1 x 2.6	230 x 65	9.1 x 2.6	230 x 65
Chassis	3.3 Tire size - load		in	mm	3.0 x 2.8	77 x 70	3.0 x 2.8	77 x 70
	3.4 Additional wheels – dimensions		in	mm	4.9 x 1.6	140 x 54	4.9 x 1.6	140 x 54
Chassis	3.5 Wheels – number, drive / load (x = driven wheels)		1x/2		1x/2			
	4.2 Collapsed mast height	h <sub>1</sub>	in	mm	77.6	1,970	95.7	2,430
Dimensions	4.3 Free-lift	h <sub>2</sub>	in	mm	59.3	1,500	25.4 <sup>1)</sup>	645
	4.4 Maximum fork height (MFH)	h <sub>3</sub>	in	mm	60.6	1,540	78.7	2,000
Dimensions	4.5 Overall extended height (OAE)	h <sub>4</sub>	in	mm	78.4	1,990	127.6	3,240
	4.9 Handle height in drive position – minimum / maximum	h <sub>14</sub>	in	mm	32.3/51.4	820 / 1,305	32.3/51.4	820 / 1,305
Dimensions	4.15 Lowered fork height	h <sub>13</sub>	in	mm	1.8	45	1.8	45
	4.19 Overall length	l <sub>1</sub>	in	mm	66.3	1,685	66.3	1,685
Dimensions	4.20 Length to fork face – headlength	l <sub>2</sub>	in	mm	21.1	535	21.1	535
	4.21 Overall width	b <sub>1</sub> / b <sub>2</sub>	in	mm	43.3 / 50 / 57.9	1,100/1,270/1,470	43.3 / 50 / 57.9	1,100/1,270/1,470
Dimensions	Inside dimension of support / straddle legs	b <sub>2</sub>	in	mm	35.4 / 42.1 / 50	900/1,070/1,270	35.4 / 42.1 / 50	900/1,070/1,270
	4.22 Fork dimensions – length / width / thickness	s / e / l	in	mm	45.3 / 3.9 / 1.6	1,150 / 100 / 40	45.3 / 3.9 / 1.6	1,150 / 100 / 40
Dimensions	4.24 Fork carriage width	b <sub>3</sub>	in	mm	31.5	800	31.5	800
	4.25 Overall width across forks	b <sub>5</sub>	in	mm	12.4–27.8	315 / 705	12.4–27.8	315 / 705
Dimensions	4.31 Ground clearance – under mast (loaded)	m <sub>1</sub>	in	mm	1.2	30	1.2	30
	4.32 Ground clearance – center of wheelbase	m <sub>2</sub>	in	mm	1.2	30	1.2	30
Dimensions	4.33 Aisle width (for 48 x 40 pallets (L x W))	Ast	in	mm	87.5	2,223	87.5	2,223
	4.35 Turning radius	Wa	in	mm	54.3	1,378	54.3	1,378
Performance	5.1 Travel speed – loaded / unloaded		mph	kph	2.6/3.1	4.2 / 5.0	2.6/3.1	4.2 / 5.0
	5.2 Lift speed – loaded / unloaded		ft / min	m / s	17.7/25.6	0.09 / 0.13	17.7/25.6	0.09 / 0.13
Performance	5.3 Lowering speed – loaded / unloaded		ft / min	m / s	23.6/21.7	0.12 / 0.11	23.6/21.7	0.12 / 0.11
	5.7 Gradeability – loaded / unloaded		%		3.5/15		3.5/15	
Performance	5.10 Service brake				electric		electric	
	6.1 Drive motor (rating S <sub>2</sub> 60 minutes)		hp	kW	0.5	0.7	0.5	0.7
Motors	6.2 Lift motor rating at S <sub>3</sub> 15%		hp	kW	1.2	1.6	1.2	1.6
	6.4 Battery voltage / nominal capacity		V	Ah	2 x 12/70		2 x 12/70	
Motors	6.5 Battery weight, minimum		lbs	kg	139	63	139	63
	8.1 Type of drive control				AC SpeedControl		AC SpeedControl	
Other	8.4 Sound level at driver's ear		dB (A)		70		70	

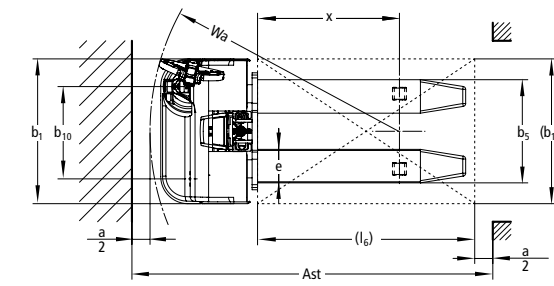
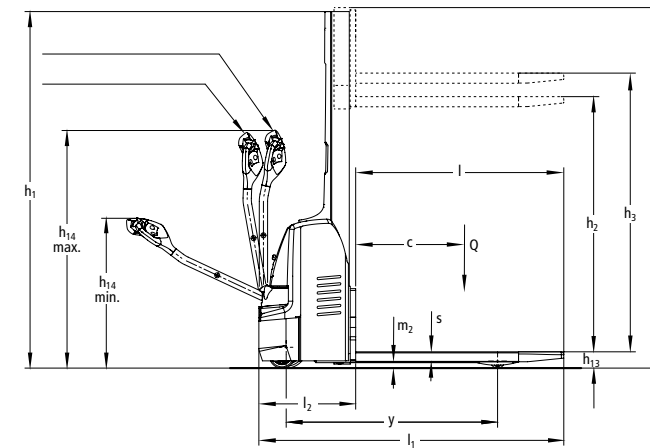
1) Includes load guard

This specification sheet only provides technical values for the standard truck. Non-standard tires, different masts, additional equipment, etc., could produce other values. Rights reserved for technical changes and improvements.

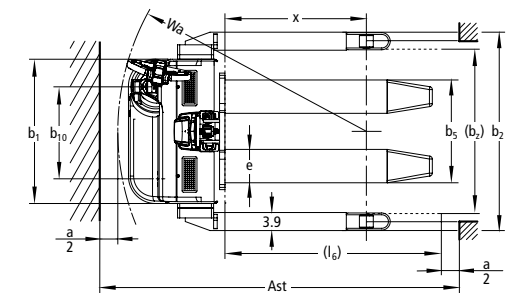
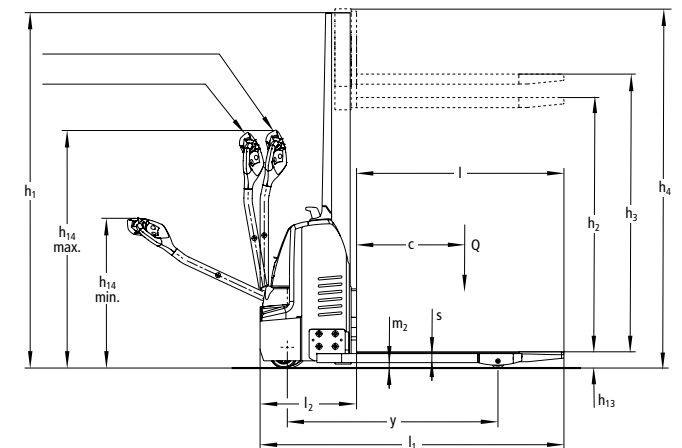


# EMC 110 (Fork Over) / EMC B10 (Straddle)

EMC 110



EMC B10





# The Jungheinrich Advantage

## Enhanced stacking and retrieval

All lift and lower controls are easily accessible via the multifunction handle head, allowing the operator to focus entirely on stacking and retrieval. Other advantages that make these functions secure and productive include:

- Unique, single cylinder mast design for a superior view of the load.
- Offset drive unit creates higher four-point wheel stability.
- High lifting speed increases productivity.
- Precise and gentle depositing of fragile loads onto racking or the floor. The lowering speed is electro-hydraulically controlled (in 2 stages) via a button on the handle head (optional).

## Compact design for confined spaces

The EMC B10 features an extremely short chassis length of 21 inches and a low chassis weight of 1301 lbs., allowing the truck to easily operate in a variety of confined space areas such as elevators and mezzanines. The truck is also equipped with a crawl-speed button. When pressed, it bypasses the brake switch and allows controlled travel with the handle in the full, vertical position.



Compact drive unit for excellent maneuverability

## Ergonomic operation

The redeveloped, state-of-the-art control handle is superbly engineered to suit the ergonomic needs of the operator.

- Color scheme design promotes intuitive operation.
- Control buttons include wear-resistant indicators.
- Angle of handle conforms to natural hand position of the operator.
- Lift and lower controls combined on a rocker switch for convenient operation in any handle position.
- Centrally-located horn button is easily reached by both left- and right-handed operators.

## Fork-over version (EMC 110)

- Support legs are mounted under fixed-position pallet truck type forks, reducing overall chassis width.
- Can only be used with open faced pallets or skids (no bottom boards perpendicular to forks).

## Reduced maintenance

Low maintenance components help ensure significant, long-term reduction in operating costs.

- Low maintenance 3-phase AC drive motor.
- Integrated charger sealed within IP54-protected controller.
- Control handle and electrical connectors protected to IP65.
- Easy access to all components through the durable front cover.



Sealed AC motor, controllers and connectors

## Long operating times

The battery, when combined with energy-efficient 3-phase AC technology, provides long operating times.

- Maintenance-free 2x12V/70 Ah batteries.
- Integrated 115V charger and cord for fast, simple charging at any 110/120V wall outlet.

## Available options

- Truck activation via PIN (CanCode) and choice of three programmable performance modes.
- Enhanced information display (CanDis) with lift interrupt, hour-meter and service code display.
- 78 inch lifting height.
- 35 or 50 inch straddle leg opening (42 inch standard opening). (EMC B10)
- 48 inch load backrest, required for 78 inch lifting height.

Built in compliance with ANSI/ITSDF B56.1 design specifications for Type E industrial trucks with Type E battery. In accordance to specifications in place at time of manufacture.

## Parts when you need them

Jungheinrich's Parts Fast or Parts Free Guarantee ensures next-business-day delivery by 5:00 PM of all Jungheinrich parts in the United States, or they're free, including freight. For customers in Canada and Mexico, the guarantee ensures shipping of parts within 24 hours from the time the order was placed by the dealer. See your local Jungheinrich dealer for program details.

\* Programs may be subject to change without notice and may vary by region. Please ask your local Jungheinrich dealer for complete terms and conditions.

